

Vent Clip

Universal Car Mount Holder

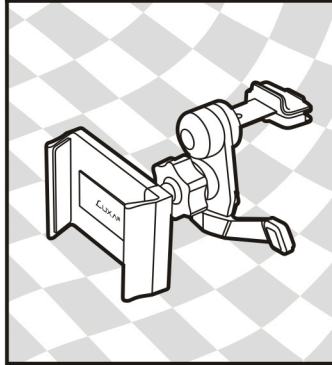
QUICK START GUIDE

For Display Size **3.5" - 6" Devices**

Compatible with majority of car air vents

HO-MHS-PCVCBK-00

Vent Clip



For Display Size
3.5" ~ 6"
Devices

©2009 Thermaltake Technology Co., Ltd. - LUXA2 Business Division



Dear Valued Customer,
In order to protect your consumer rights, please ensure that at the time of purchase you fill out the provided warranty certificate, compiled with the retailer stamp so as to ensure valid warranty.
請務必於購買時將日期填寫在零售店單據上，以便日後向原廠申請維修。為了保障您的消費權益，請務必於購買時將日期填寫在零售店單據上，以便日後向原廠申請維修。
• Within warranty period, the product is determined defective, please return to the original store of purchase for a replacement.
• For additional services, please email info@luxa2.com or contact one of our global offices, of which, details can be found on the previous page.
• 若產品在保固期間內經判定為有瑕疵，請將產品帶回原購買店進行更換。
• 若需額外服務，請寄信至 info@luxa2.com 或洽詢下列任一全球分公司，詳情請參閱 LUXA2 官網 http://www.luxa2.com.tw/

Date of purchase (購買日期)			
(AD)	(Year)	(Month)	(Date)
Serial number (序號)			
Product Name (品名)			

Store of purchase (Official stamp required) (請務必蓋章後圖方為有效)

English

Technical Specification:

- Product Name: Vent Clip Universal Car Mount Holder
- P / N: HO-MHS-PCVCBK-00
- Dimensions: 69 x 124 x 51 mm
- Weight: 72 g
- Material: Plastic
- Adjustable Angle: 360° (Rotated) 360° (Vertical)
- For Display Size 3.5" ~ 6" Devices

Package contents:

- Vent Clip Universal Car Mount Holder x 1
- User manual x 1

Français

Caractéristiques:

- Nom du produit: Vent Clip Universal Car Mount Holder
- P / N: HO-MHS-PCVCBK-00
- Dimensions: 69 x 124 x 51 mm
- Poids: 72 g
- Matière: plastique
- Angle réglable: 360° (rotation) de 360° (vertical)
- Pour Taille de l'écran 3.5" ~ 6" Périphériques

Contenu de l'emballage:

- Vent Clip Universal Car Mount Holder x 1
- Manuel x 1

繁體中文

規格:

- 產品名稱: Vent Clip Universal Car Mount Holder
- P / N: HO-MHS-PCVCBK-00
- 尺寸: 69 x 124 x 51 mm
- 重量: 72 g
- 材質: 塑膠
- 可調角度: 360° (旋轉) 360° (垂直)
- 適用於 3.5-6 吋的裝置

包裝內容:

- Vent Clip Universal Car Mount Holder x 1
- 說明書 x 1

Deutsch

Technische Daten:

- Produktname: Vent Clip Universal Car Mount Holder
- P / N: HO-MHS-PCVCBK-00
- Abmessungen: 69 x 124 x 51 mm
- Gewicht: 72 g
- Material: Plastik
- Einstellbarer Winkel: 360° (gedreht) um 360° (vertikal)
- Für Display-Größe 3.5" ~ 6" Geräte

Lieferumfang:

- Vent Clip Universal Car Mount Holder x 1
- Anleitung x 1

日本語

詳細:

- 製品名: Vent Clip Universal Car Mount Holder
- P / N: HO-MHS-PCVCBK-00
- サイズ: 69 x 124 x 51 mm
- 重量: 72g
- 素材: Plastic
- 移動可能角度: 360° (回転) 360° (垂直)
- 携帯ディスプレイ 3.5" ~ 6" まで対応可能

製品内容:

- Vent Clip Universal Car Mount Holder x 1
- 取扱説明書 x 1

Español

Especificación técnica:

- Nombre del producto: Vent Clip Universal Car Mount Holder
- P/N: HO-MHS-PCVCBK-00
- Dimensiones: 69 x 124 x 51 mm
- Peso: 72 g
- Material: plástico
- Ángulo ajustable: 360° (Girado) 360° (Vertical)
- Para mostrar el tamaño 3.5" ~ 6" Dispositivos

Contants paquete:

- Vent Clip Universal Car Mount Holder x 1
- Manual del usuario x 1

Русский

Технические характеристики:

- Наименование: Vent Clip Universal Car Mount Holder
- P / N: HO-MHS-PCVCBK-00
- Размеры: 69 x 124 x 51 мм
- Вес: 72 г
- Материал: пластмасса
- Регулируемый угол наклона: 360° (с поворотом) / 360° (по вертикали)
- Для Дисплей Размер 3.5" ~ 6" устройств

Пакет содержит:

- Vent Clip Universal Car Mount Holder x 1
- Руководство x 1

العربية

المواصفات التقنية:

- اسم المنتج: Vent Clip Universal Car Mount Holder
- رقم المنتج: HO-MHS-PCVCBK-00
- الابعاد: 69 x 124 x 51 mm
- الوزن: 72g
- المادة: البلاستيك
- زاوية قابلة للضبط: 360° (استدارة) 360° عمودي
- عرض الحجم 3.5" ~ 6" الأجهزة

contants:

- Vent Clip Universal Car Mount Holder x 1
- دليل المستخدم x 1



Placement & Instructions of Use



1. Find a safe location on the vehicle vent



2. With your finger, pull the mounting mechanism towards you



3. Gently slide the mounting clip into the vent louvres until it is attached and release.



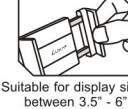
4. Adjust and select desired viewing angle accordingly to complete installation



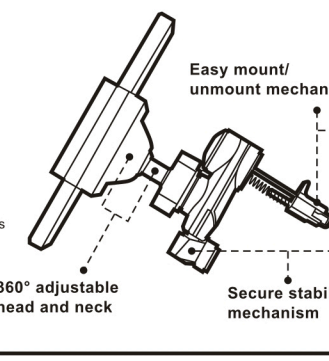
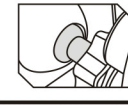
Rotation & Features



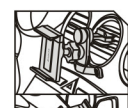
Non-slip rubber grip for extra stability



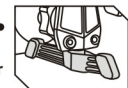
Suitable for display sizes between 3.5" ~ 6"



Easy mount/unmount mechanism



Compatible with majority of car air vents



360° stabilizer mechanism

Português

Especificação Técnica:

- Nome do produto: Vent Clip Universal Car Mount Holder
- P / N: HO-MHS-PCVCBK-00
- Dimensões: 69 x 124 x 51 milímetros
- Peso: 72 g
- Material: Plástico
- Ângulo ajustável: 360° (rodadas) 360° (vertical)
- Para tamanho da tela de 3.5" ~ 6" Dispositivos

Contants do pacote:

- Vent Clip Universal Car Mount Holder x 1
- Manual de instruções x 1

Thank you for choosing LUXA2. If you have any enquiries regarding our products, please contact us by email or telephone at one of the following contact addresses below.

Headquarter

Thermaltake Technology Co., Ltd. - LUXA2 Business Division
TEL: +886-2-8797-5788 FAX: +886-2-8797-5199
E-MAIL: info@luxa2.com www.luxa2.com.tw

Overseas Branch

Thermaltake U.S.A. - LUXA2 Division
TEL: +1-626-968-9189 FAX: +1-626-968-7659
E-MAIL: info.usa@luxa2.com www.luxa2.com

Thermaltake Beijing Co., Ltd. - LUXA2 Division
TEL: +86-10-8288-3703 FAX: +86-10-8288-3302
E-MAIL: info.cn@luxa2.com www.luxa2.com.cn

Thermaltake Russia Representative Office
TEL: +7-495-739-5906 FAX: +7-495-739-5915
E-MAIL: sales@luxa2.com www.luxa2.ru

Thermaltake Australia and New Zealand Pty Ltd. - LUXA2 Division
TEL: +61-03-9763-1622 FAX: +61-03-9763-1677
E-MAIL: info.au@luxa2.com

Thermaltake Germany GmbH - LUXA2 Division
TEL: +49(0)40-30-85-86-0 FAX: +49(0)40-30-85-86-89
E-MAIL: info.ge@luxa2.com www.luxa2.de

Tt Community Forum

Our discussion forum has been created with the goal of bringing you closer to us, and us closer to you. It is here that we aim to showcase all our latest products and ideas, to seek your valuable opinion, and to ultimately deliver the perfect user experience for you and your lifestyle. By registering, you will be provided with all the latest news/events and promotions regarding LUXA2 as to ensure you never miss out on any important stuff!

Regular monthly giveaways provide a chance for you to win all sorts of exciting prizes.

All you have to do is follow these simple steps:

1. Register an account for free here - <http://community.thermaltake.com/>
2. Take a photo of your newly purchased LUXA2 product
3. Upload onto the relevant 'Owner's Club' category on the LUXA2 boards

Each month, we will review all new uploads and the one that is deemed most creative to your lifestyle, will win the prize of the month.

We look forward to seeing you!

